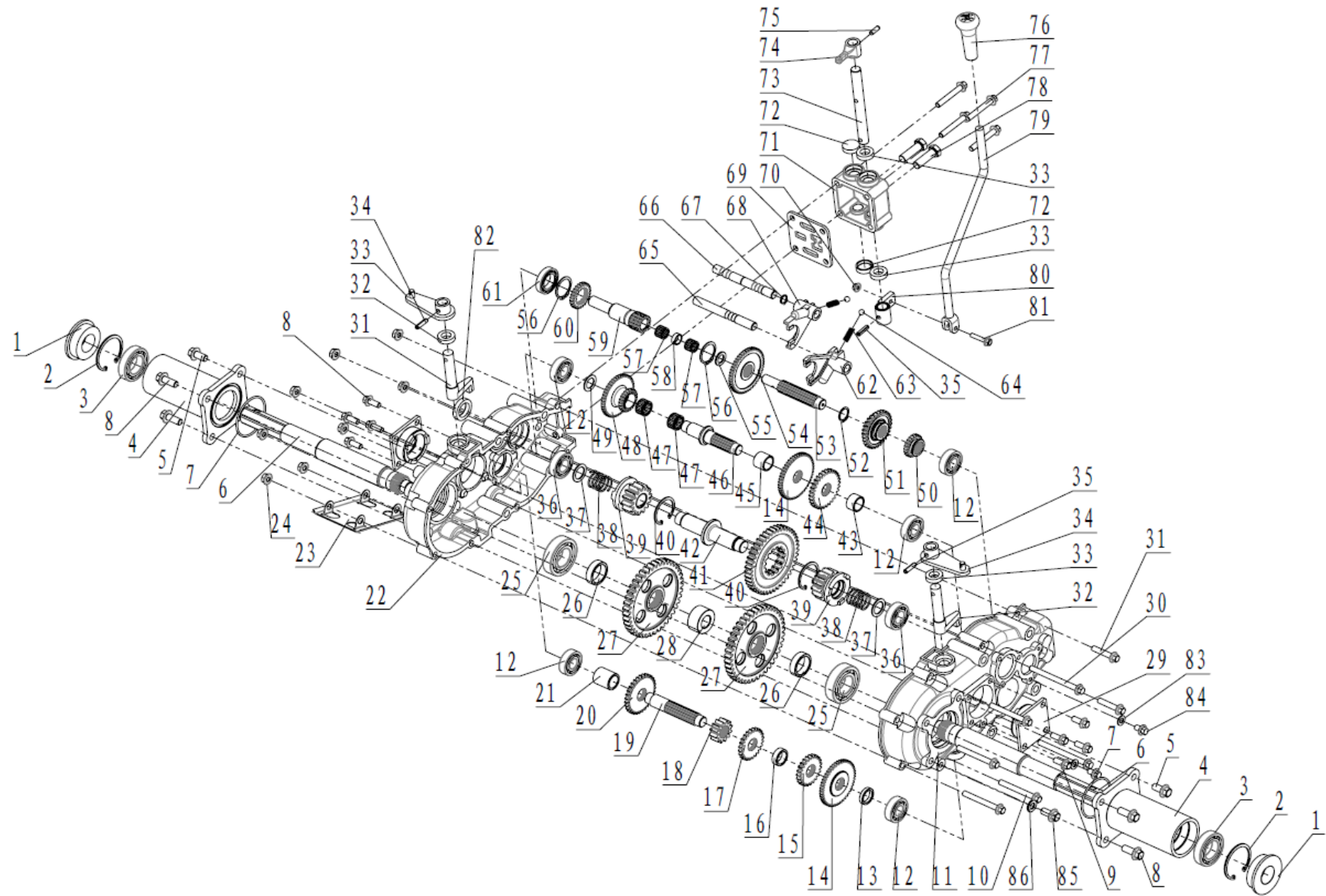


Gear Box Comp



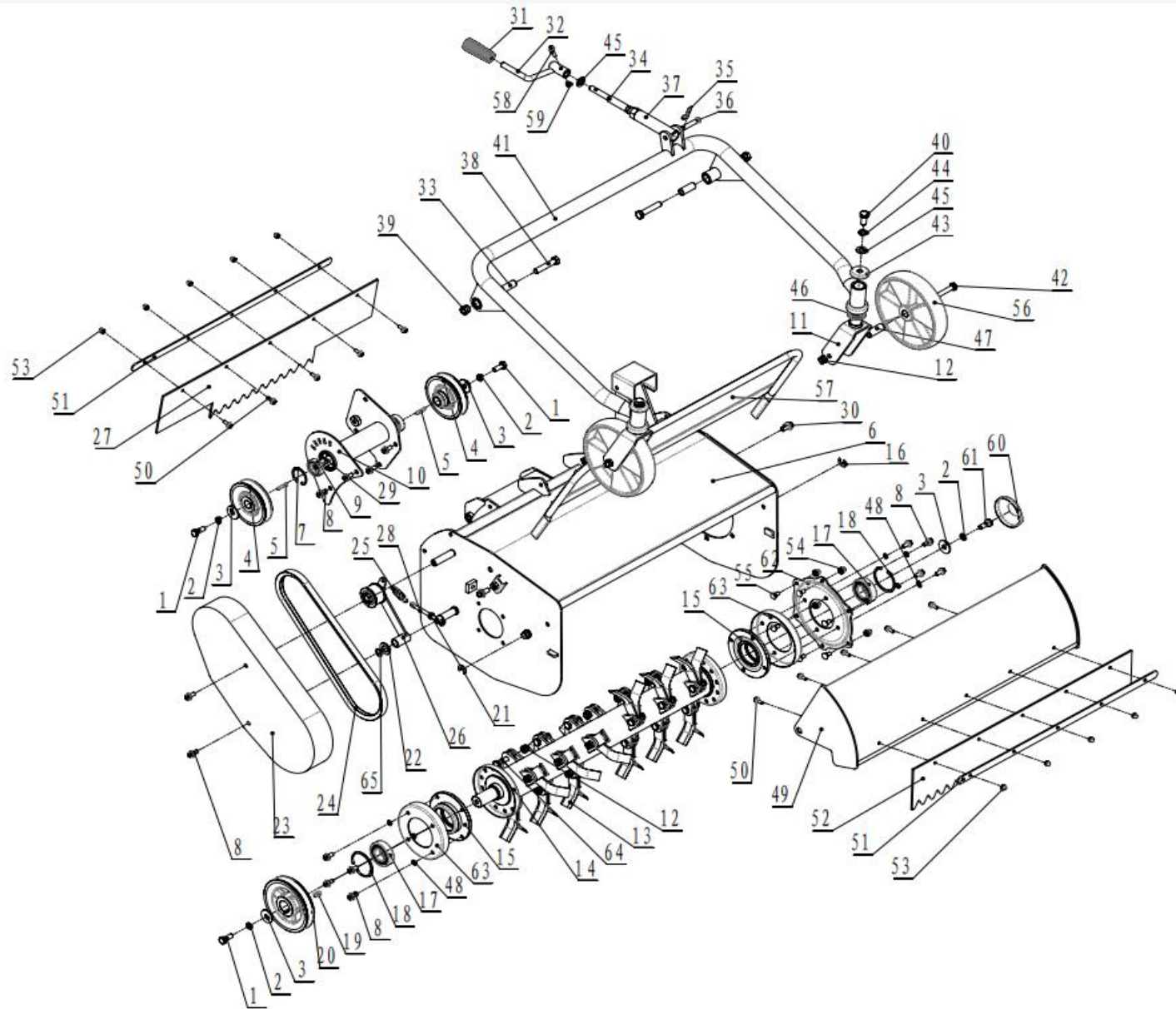
NO.	CODE	STD	NAME	QTY
1	3409100001-0001		Combination oil seal 30 × fifty-five × eighteen	2
2	360910017	GB/T893	Elastic retaining ring for hole 55	2
3	360720012	GB/T276	Deep groove ball bearing 6006/P6	2
4	2427600005-0001		Support seat weldment	2
5	360220062	GB/T16674.1	Hexagon flange bolt M10 × twenty	4
6	2113600024-0001		Output shaft/equipped with walking wheel	2
7	3416100007-0001		O-ring seal 65 × two point six five	2
8	360220157	GB/T16674.1	Hexagon flange bolt M10 × twenty-five	4
9	360220040	GB/T16674.1	Hexagon flange bolt M8 × twenty	8
10	360220047	GB/T16674.1	Hexagon flange bolt M8 × seventy	4
11	2418500006-0001		Shell/Left	1
12	360720025	GB/T276	Deep groove ball bearing 6203/P6	5
13	2136700001-0001		III axis short shaft sleeve	1
14	2107900001-0001		1R gear driven gear	2
15	2108100001-0001		III axis driven gear	1
16	2136500001-0001		Axis III middle shaft sleeve	1
17	2108200001-0001		Third gear driven gear	1
18	2108300001-0001		Third gear driving gear	1
19	2115100001-0001		Axis III	1
20	2117200005-0001		Second gear driven gear	1
21	2136600001-0001		III axis long shaft sleeve	1
22	2418500004-0001		Shell/Right	1
23	2116800001-0001		Transmission guard	1
24	360040009	GB/T6177.1	Hexagon flange nut M8	8
25	360720040	GB/T276	Deep groove ball bearing 6206/P6	2
26	2137100001-0001		V-axis sleeve	2
27	2108600001-0001		V-axis driven gear	2

NO.	CODE	STD	NAME	QTY
28	2136900001-0001		V-axis connecting sleeve	1
29	2104500001-0001		Stop seat	2
30	360220158	GB/T16674.1	Hexagon flange bolt M8 × ninety-five	2
31	360220043	GB/T16674.1	Hexagon flange bolt M8 × forty	2
32	2103300002-0001		Steering release fork	2
33	360800030		Oil seal 15 × twenty-six × six	4
34	2140700002-0001		Steering release arm assembly	2
35	360580023	GB/T879.4	Elastic cylindrical pins, rolled standard type 6 × twenty-four	3
36	360720009	GB/T276	Deep groove ball bearing 6004/P6	2
37	2136300001-0001		IV axis gasket	2
38	3404700004-0001		Tensioning wheel return position tension spring	2
39	2108400001-0001		Steering gear	2
40	360910025	GB/T893	Elastic retainer ring for hole 42	2
41	2108500001-0001		IV axis driven gear	1
42	2136200001-0001		IV axis	1
43	3410800133-0001		Bushing 20.2 × twenty-five × fifteen	1
44	2108000001-0001		II axis driving gear	1
45	2136100001-0001		II shaft sleeve	1
46	2114900003-0001		II axis	1
47	360770003	GB/T5846	Needle bearing K20 × twenty-four × thirteen	2
48	2107800001-0001		Auxiliary variable speed dual gear	1
49	2136400001-0001		II axis thin gasket	1
50	2107700001-0001		1R gear slip gear	1
51	2107600001-0001		Second and third gear sliding gear	1
52	360920064	GB/T894	Elastic retaining ring for shaft 20	1
53	2115000001-0001		I-axis	1
54	2107500001-0001		Auxiliary variable speed driven gear	1
55	2138200001-0001		Input shaft and I-axis gasket	1

NO.	CODE	STD	NAME	QTY
56	360920043	GB/T894	Elastic retaining ring for shaft 28	2
57	360770004	GB/T5846	Needle bearing K14 × eighteen × thirteen	2
58	2138000001-0001		Input shaft retaining ring	1
59	2114500012-0001		Input shaft	1
60	2117500002-0001		Auxiliary transmission shifting gear	1
61	360720064	GB/T276	Deep groove ball bearing 61905/P6	1
62	2102700002-0001		Second and third gear fork	1
63	3404800012-0001		Shift pressure spring 8 × twenty-five	2
64	360970009	GB/T308	Steel ball S φ eight	2
65	2103900001-0001		Lower shift fork shaft	1
66	2103800001-0001		Upper shift fork shaft	1
67	360920058	GB/T894	Elastic retaining ring for shaft 13	1
68	2101800006-0001		Reverse shift fork	1
69	2116900001-0001		Paddle limit plate	1
70	360010024	GB/T6170	Type 1 hex nut M6	1
71	2104400001-0001		Fork lever box	1
72	3409000010-0001		Oil plug 26 × seven	2
73	2139600001-0001		Paddle shaft	1
74	2405300002-0001		Paddle	1
75	360580024	GB/T879.4	ic cylindrical pins, rolled standard type 6 × eig	1
76	3000500010-0001		Shock-absorbing grip φ 12 (with gear identification)	1
77	360220161	GB/T16674.1	Hexagon flange bolt M8 × fifty-five	4
78	2425000001-0001		Ventilation plug	2
79	3015500002-0001		Shift control lever	1
80	3016800001-0001		Gear lever sleeve	1
81	360300009	GB/T5789	Hexagon flange bolt M6 × thirty	1
82	360800031	GB/T9877	Oil seal 24 × thirty-five × seven	1
83	3407900001-0001		Combination gasket 8	2

NO.	CODE	STD	NAME	QTY
84	360220038	GB/T16674.1	Hexagon flange bolt M8 × twelve	2
85	360220153	GB/T16674.1	Hexagon flange bolt M10 × twelve	1
86	3407900002-0001		Combination gasket 10	1

Cutting comp



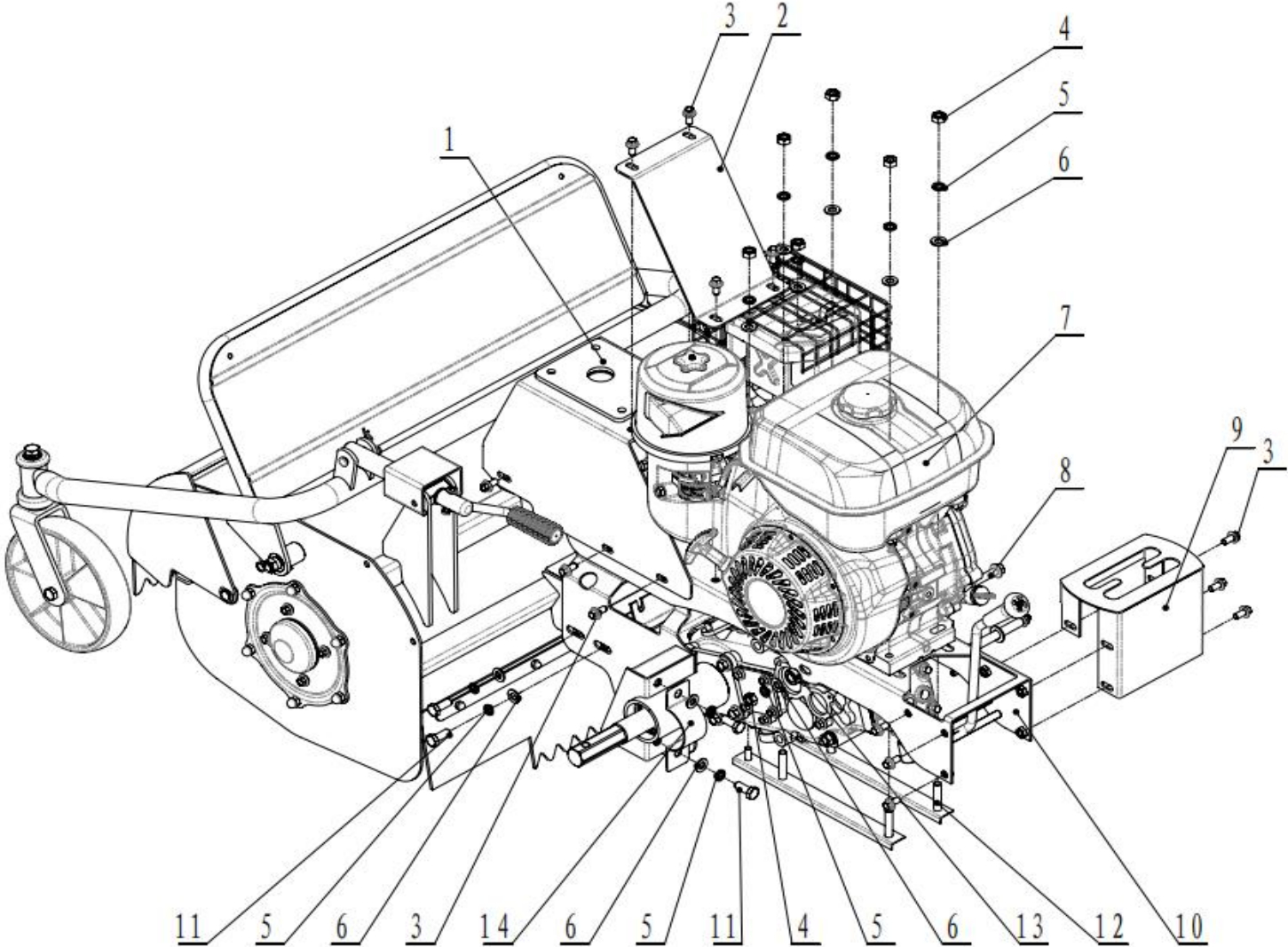
NO.	CODE	STD	NAME	QTY
1	360250034	GB / T 5783-2016	Hexagonal head bolt full thread M10 × twenty-	3
2	360620015		Standard spring washer 10	4
3	360590009	GB/T 5287	Extra large washer Class C 10	4
4	2106600055-0001		Driving pulley	2
5	360980068	GB / T 1096-2003	Ordinary flat key 5 × five × thirty	2
6	2803800007-0001		Support frame	1
7	360910025	GB / T 893-2017	Elastic retaining ring for hole A type 42	1
8	360220039	GB / T 16674.1-2016	Hexagon flange bolt small series M8 × sixteen	14
9	360720008	GB / T 276-2013	Deep groove ball bearing 6004/2RS	2
10	2420400004-0009		Shield bracket	1
11	2801200002-0010		Front wheel bracket	2
12	360120013	GB/T 889.1	Type 1 non-metallic insert hex lock nut M10	20
13	2712500003-0001		Flapping blade	36
14	2712100014-0001		Knife barrel	1
15	2142300002-0009		Bearing seat	2
16	360940011	GB/T 896	Open retaining ring 12	2
17	360720040		Deep groove ball bearing 6206	2
18	360910022		Elastic retainer ring for hole 62	2
19	360980056	GB / T 1096-2003	Ordinary flat key 7 × seven × twenty	1
20	2109200027-0001		Driven pulley (blade output)	1
21	360010003	GB/T 6170	Hexagon nut M8	2
22	360660015	GB/T 97.1	Flat washer 16	1
23	2601500059-0009		Belt guard (lower)	1
24	2123600038-0001		Agricultural machinery V-belt 17 × 985LW	1
25	3404600012-0001		Tensioning wheel tension spring (blade output)	1
26	2110300020-0001		Tensioning wheel assembly (blade output)	1
27	2411900021-0001		Fender rear rubber	1

NO.	CODE	STD	NAME	QTY
28	2411400005-0001		Adjusting screw	1
29	2141200007-0001		transmission shaft	1
30	360220062	GB/T 16674.1-2016	Hexagon flange bolt small series M10 × twenty	2
31	3000500002-0001		<MOD-DIAM>12 Shock Absorbing Grip	1
32	3003800006-0001		Adjusting handle (height)	1
33	3410800135-0001		Bushing 12.2 × sixteen × thirty-nine point tw	2

NO.	CODE	STD	NAME	QTY
34	2411400006-0001		Adjusting screw (height)	1
35	3402200004-0002		Circlip B	1
36	361020064		Pin shaft 10 × fifty	1
37	3005800002-0009		Connecting rod adjustment rod	1
38	360250118	GB / T 5783-2016	Hexagonal head bolt full thread M12 × sixty	2
39	360120015	GB/T 889.1	Type 1 non-metallic insert hex lock nut M12	2
40	360250072	GB / T 5783-2016	Hexagonal head bolt full thread M12 × twenty-fi	2
41	2805500002-0010		Traveling wheel support frame	1
42	360260007	GB / T 5783-2016	Hexagonal head bolt M10 × sixty-five	2
43	2607500009-0001		Cover plate	2
44	360620029	GB/T 93	Standard spring washer 12	2
45	360660009	GB/T 97.1	Flat washer Grade A 12	3
46	360760007	GB/T 301-1995	Thrust ball bearing 51105	2
47	3410800134-0001		Bushing 10.5 × seventeen point five × forty-fo	2
48	360620011	GB / T 93-1987	Standard elastic washer 8	8
49	2604900005-0009		Front mudguard	1
50	360300007	GB / T 5789-1986	Hexagon flange bolt enlarged series B grade M6	10
51	2415200004-0009		Mudguard strip	2
52	2411900020-0001		Fender front rubber	1
53	360210002		Hexagonal cap nut M6	10
54	360210001	GB/T 923	Hexagon cap nut M8	6
55	3403000001-0001		Square neck bolt M8 × sixteen	6
56	2803100014-0001		Walking wheel	2
57	2607800002-0008		Sliding baffle	1
58	360300053	GB/T5789	Hexagon flange bolt enlarged series B grade M6	1
59	360120005	GB / T 889.1-2015	Type 1 non-metallic insert hex lock nut M6	1
60	2408200009-0001		Dust cover	1
61	360250101	GB / T 5783-2016	Hexagonal head bolt full thread M10 × 25 (lef	1

NO.	CODE	STD	NAME	QTY
62	2401900008-0009		Box connecting plate	1
63	2609200002-0001		Lower anti entanglement cover	2
64	360250121	GB / T 5783-2016	Hexagonal head bolt full thread M10 × Grade 3	18
65	360920059	GB / T 894-2017	Elastic retaining ring for shaft type A (d0 ≥	1

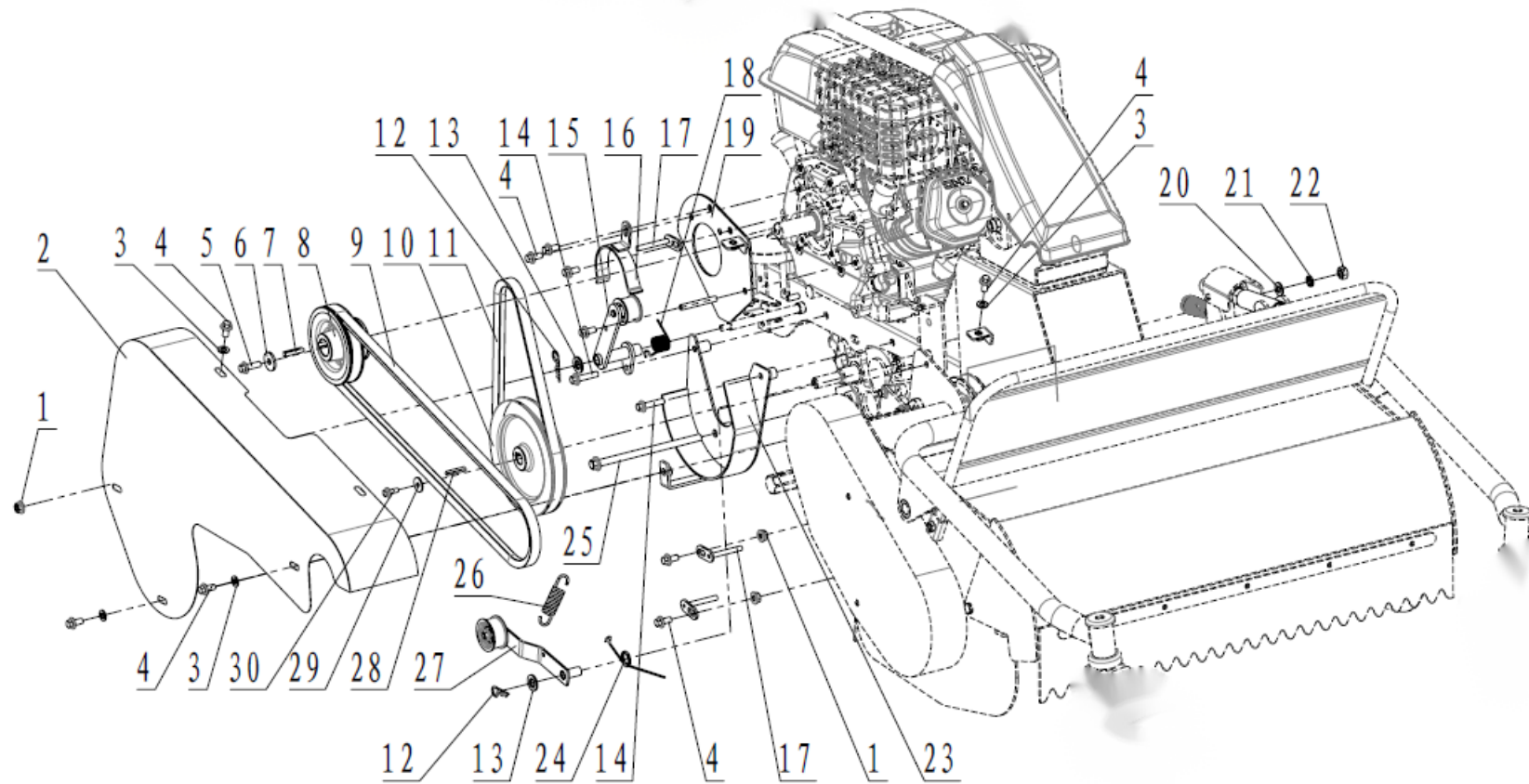
Engine and engine frame



NO.	CODE	STD	NAME	QTY
1	2401600010-0010		Armrest base	1
2	2405800006-0010		Strengthening bracket	1
3	360220039	GB/T16674.1	Hexagon flange bolt M8 × sixteen	15
4	360010008	GB/T6170	Hexagon nut M10	5
5	360620015	GB/T93	Standard spring washer 10	9
6	360660013	GB/T97.1	Flat washer 10	9
7	T011480019		W300F-2 gasoline engine	1
8	360220136	GB/T16674.1	Hexagon flange bolt M10 × one hundred and	1
9	2407900011-0001		Gear indicator frame	1
10	2401200069-0005		Engine support	1
11	360250034	GB/T5783	Hexagonal head bolt M10 × twenty-five	8
12	2419200006-0001		Engine mount weldment	2
13	3410800136-0001		Bushing 12 × twenty-two × twelve	1
14	2134400001-0005		Output shaft pressure plate	2

NO.	CODE	STD	NAME	QTY
1	2401400061-0001		Armrest seat	1
2	2402300153-0004		Armrest (CE version)	1
3	2605400010-0002		Armrest cover plate	1
4	3000900029-0001		Clutch handle	2
5	3000500003-0002		Shock-absorbing grip	2
6	3000900007-0001		Clutch handle	2
7	1815700001-0001		Accelerator switch	1
8	3009100010-0001		Steering cable	2
9	360040008	GB/T 6177.1	Type 2 hexagonal flange nut M6	4
10	360300007	GB/T 5789-1986	Hexagon flange bolt enlarged series B grade M6 × sixteen	4
11	360260107	GB/T 5782-2000	Hexagonal head bolts grade A and B M12 × one hundred and thirty	1
12	360260104	GB/T 5782-2000	Hexagonal head bolts grade A and B M12 × one hundred and forty	1
13	360120015	GB/T 889.1-2015	Type 1 non-metallic insert hex lock nut M12	2
14	360220040	GB / T 16674.1-2016	Hexagon flange bolt small series M8 × twenty	4
15	3001600006-0001		Main clutch cable (CE version)	1
16	3001800044-0001		Walking clutch cable (CE version)	1
17	3000200007-0001		Throttle cable	1
18	2400600001-0001		Self-locking clamp	2

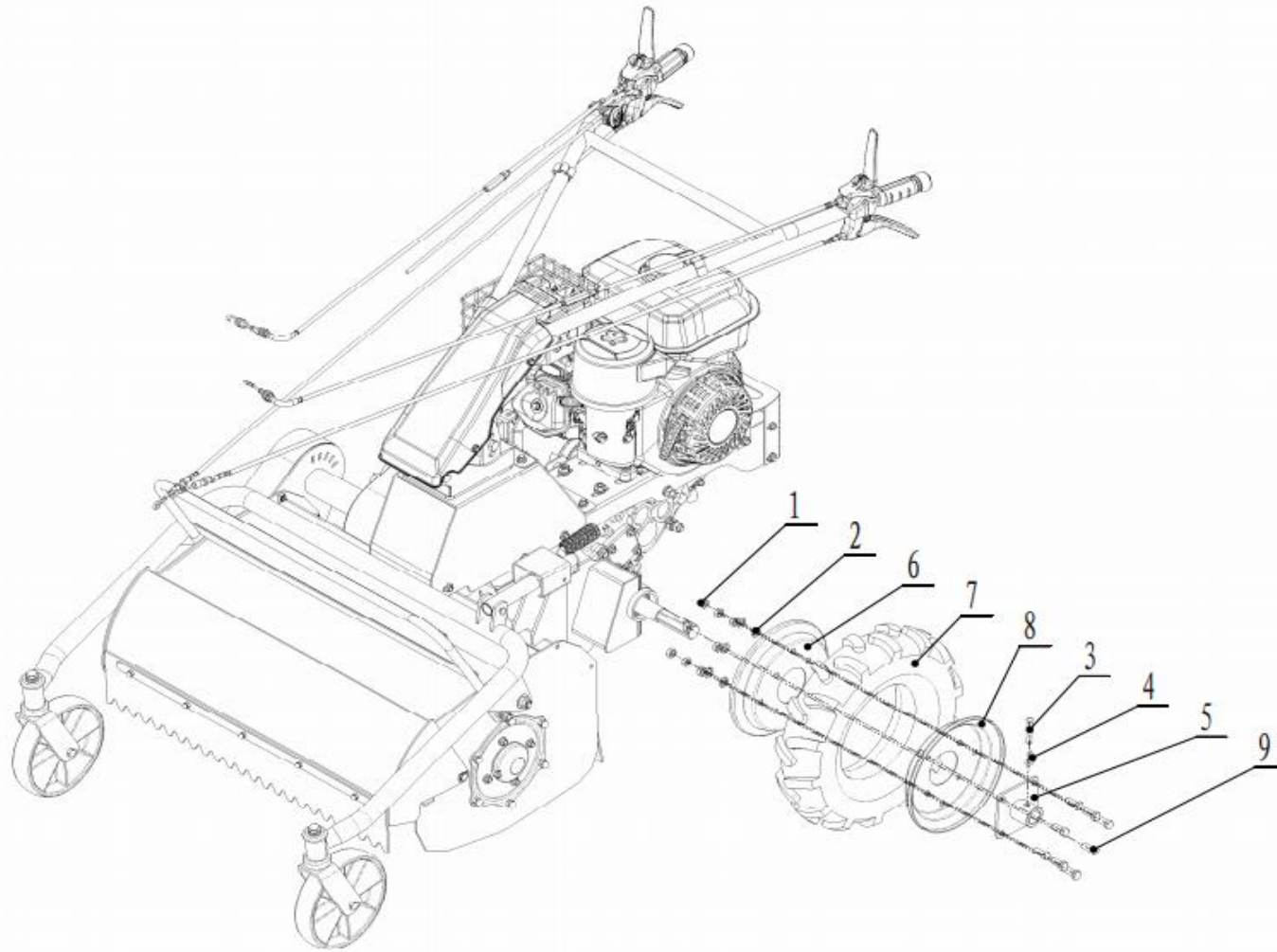
Belt pulley comp



NO.	CODE	STD	NAME	QTY
1	360040009	GB/T6177.1	Hexagon flange nut M8	3
2	2601500058-0009		Belt guard	1
3	360660010	GB/T97.1	Flat washer 8	4
4	360220039	GB/T16674.1	Hexagon flange bolt M8 × sixteen	10
5	360220041	GB/T16674.1	Hexagon flange bolt M8 × twenty-five	1
6	360590002	GB/T5287	Extra large washer 8	1
7	360980047	GB/T1096	Flat key 7 × seven × thirty	1
8	2106600056-0001		Driving pulley	1
9	2123600040-0001		Agricultural machinery V-belt 17 × 1400LW	1
10	2152500017-0001		Traveling driven pulley	1
11	2123600039-0001		Agricultural machinery V-belt 17 × 895LW	1
12	3402200004-0002		Circlip B	2
13	360660009	GB/T97.1	Flat washer 12	2
14	360220067	GB/T16674.1	Hexagon flange bolt M8 × thirty-five	2
15	2110300022-0001		Tensioning wheel assembly/walking	1
16	2608000004-0004		Small pulley cover	1
17	2113000007-0001		Belt pressure rod	3
18	3404500008-0001		Tensioning wheel return torsion spring	1
19	2422000013-0004		Belt guard base plate	1
20	360660013	GB/T97.1	Flat washer 10	1
21	360620015	GB/T93	Standard spring washer 10	1
22	360010008	GB/T6170	Hexagon nut M10	1
23	2112900003-0004		Belt pulley pressure plate	1
24	3404500003-0001		Tensioning wheel return torsion spring/WM500	1
25	360220137	GB/T16674.1	Hexagon flange bolt M10 × one hundred and seventy-	1
26	3404600004-0001		Tensioning wheel tension spring/normally open typ	1

NO.	CODE	STD	NAME	QTY
27	2110300021-0001		Tensioning wheel assembly/plow blade input	1
28	360980068	GB/T1096	Flat key 5 × five × thirty	1
29	360590001	GB/T5287	Extra large washer 6	1
30	360300007	GB/T5789	Hexagon flange bolt M6 × sixteen	1

Wheel comp



NO.	STD	CHINESE	QTY	
1	360010008	GB/T6170	Hexagon nut M10	16
2	360620015	GB/T93	Standard spring washer	16
3	361020032	GB/T882	Pin shaft 8 × fifty	2
4	3402200004-0002		Circlip B	2
5	2801000036-0004		Wheel axle	2
6	2800800001-0030		Inner spoke/4.00-8	2
7	2800500006-0002	Herringbone rubber/inner tube/outer		2
8	2800900001-0037	Outer spoke/perforated/4.		2
9	360250034	GB/T5783	head bolt M10 × tw	16